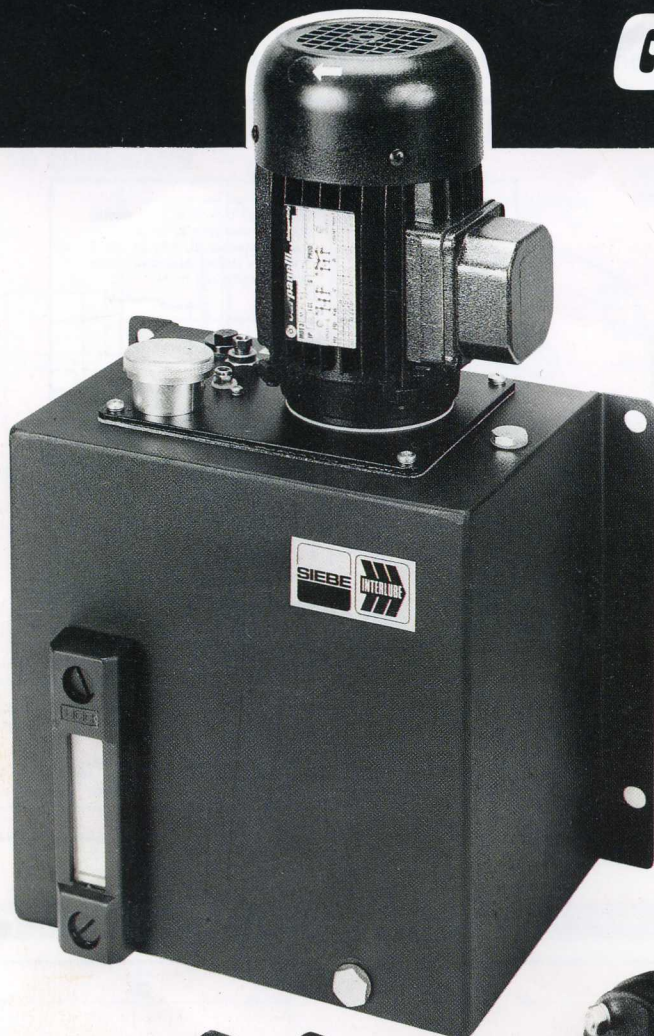


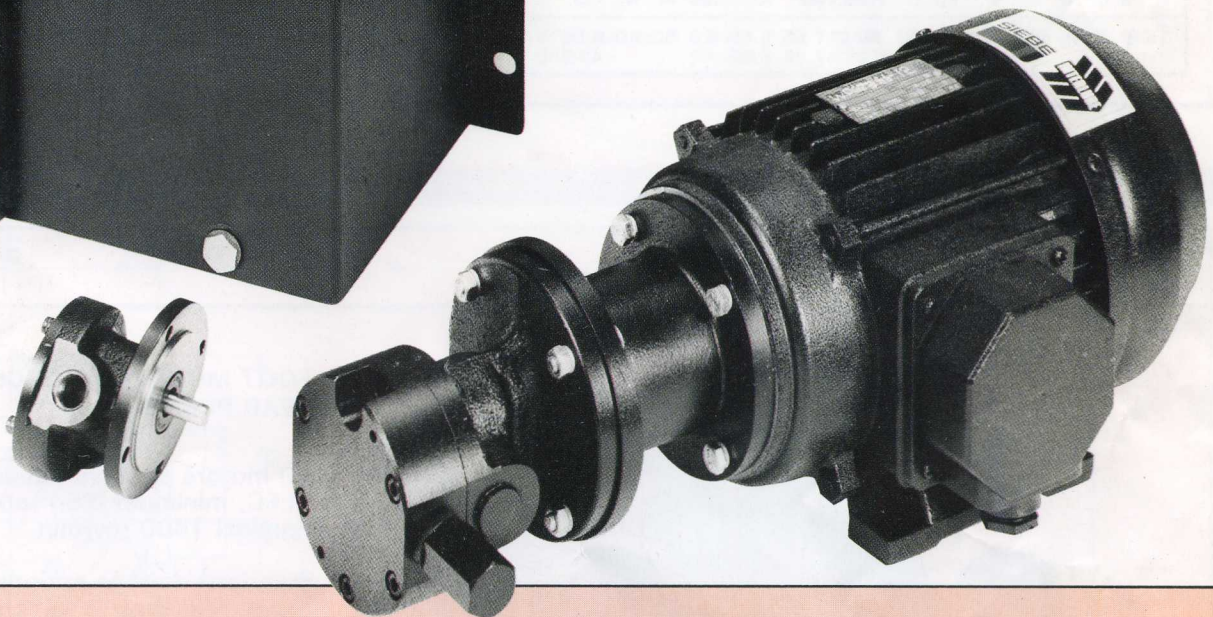
# INTERLUBE

## Gear Pumps



Interlube gear pumps are specially designed for continuous and cyclic automatic lubrication systems. They are supported by an extensive range of accessories suitable for a wide variety of industrial applications.

The pump bodies are manufactured from high grade cast iron, the rotors and shafts are steel, and the seals nitrile rubber. The pumps are suitable for oils and fluid grease.



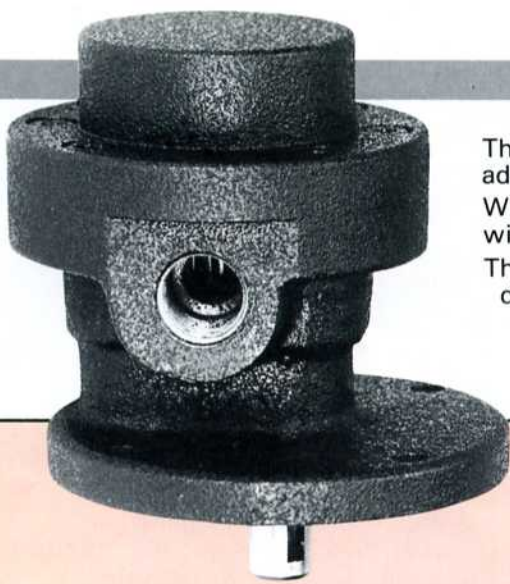
Pumps are available with flange mounting for mechanical drive, motorised foot mounted, or reservoir mounted. Four sizes of pump are available with outputs of 0.5, 3, 9 and 16 lt/min. On motorised versions the maximum rated operating pressure is 25 bar for the 0.5 lt/min pump, 10 bar for the 3 lt/min and 9 lt/min, and 5 bar for the 16 lt/min pump. For higher pressures consult Tecalemit Systems Ltd.

**INTERLUBE**

*the Leaders in Lubrication*

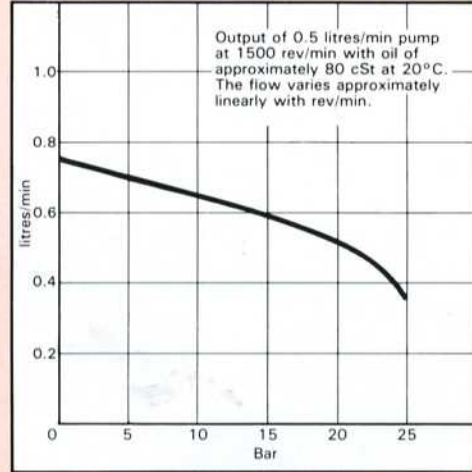
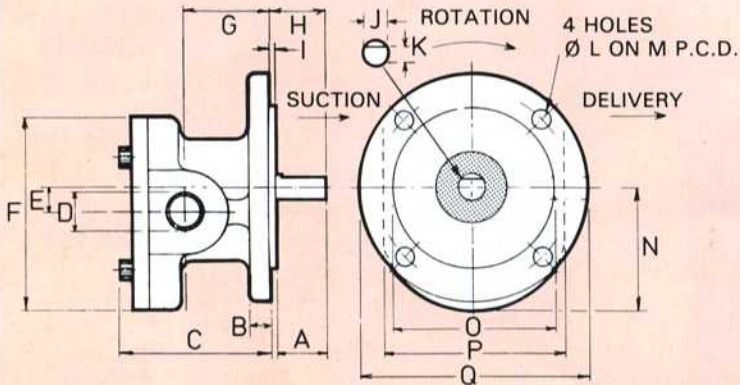


# Flanged Gear Pumps



The unique design ensures quiet operation, and the pumps have the added advantage that they are tolerant of viscosity change. With the exception of the 0.5 ltr/min model, the pumps can be provided with an integral, adjustable pressure relief valve, as an optional extra. The extensive range of accessories provided for these pumps is described in leaflet 3009. For cyclic applications a special timer can be provided — please contact Interlube Systems Ltd or an approved agent.

## GEAR PUMP – 0.5 LITRES/MIN (1.0 ltr/min @ 2,800 RPM)



Dimensions																
A	B	C	D	E	F	G	H	I	J	K	L	M	N	O	P	Q
16	6	48	¼ BSP	8.2	63	26	18	2	7.99	6.45	5.5	60	40	49.975	58	73
									7.98	6.35				49.950		

### Part No. GP1

Maximum permissible pressure 25 Bar  
 Maximum permissible rev/minute at 25 Bar - 1500  
 Maximum permissible rev/minute at 5 Bar - 3000

# Motorised Gear Pumps



## FOOT MOUNTED MOTORISED GEAR PUMPS

All motors are continuously rated, TEFC, minimum IP54 rating, nominal 1400 rev/min

Standard Voltage options:-

- 110V, 1 ph, 50/60 Hz
- 240V, 1 ph, 50/60 Hz
- 380/440V, 3 ph, 50/60 Hz

See ordering details, for alternative voltages contact Tecalemit Systems Ltd.

