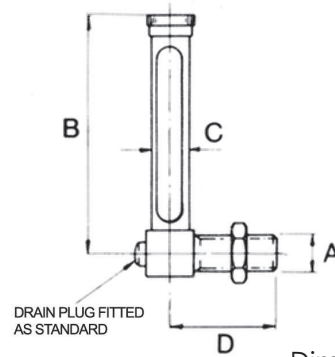
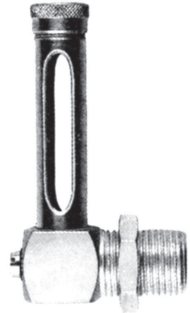




Oil Levels and Windows ::

SERVICE WITHOUT FRICTION...

* To DIN 3018



With Locknut ::

Dimensions in mm

Part No	A	B	OLD FG LENGTHS	C	D
FGM250	1/4 BSP	50		13	27
FGM260		60			
FGM280		80	3"		
FGM2100		100	4"		
FGM2125		125	5"		
FGM2150		150	6"		
FGM2175		175	7"		
FGM2200		200	8"		
FGM2250		250	10"		
FGM2300		300			
FGM350	3/8 BSP	50		13	33.5
FGM360		60			
FGM380		80	3"		
FGM3100		100	4"		
FGM3125		125	5"		
FGM3150		150	6"		
FGM3175		175	7"		
FGM3200		200	8"		
FGM3250		250	10"		
FGM3300		300			

*
*
*
*

*
*
*
*

Material - BRASS
- GLASS

Finish - NATURAL

1/8 BSP and 1/2 BSP sizes available on request